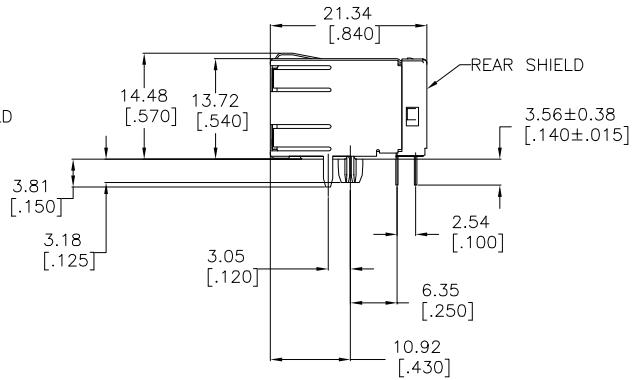
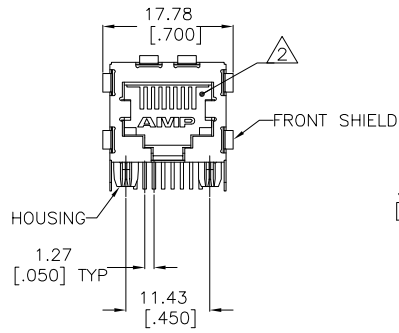


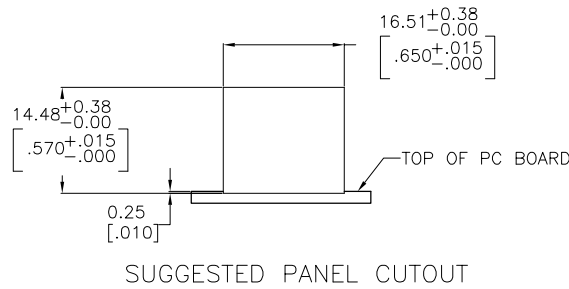
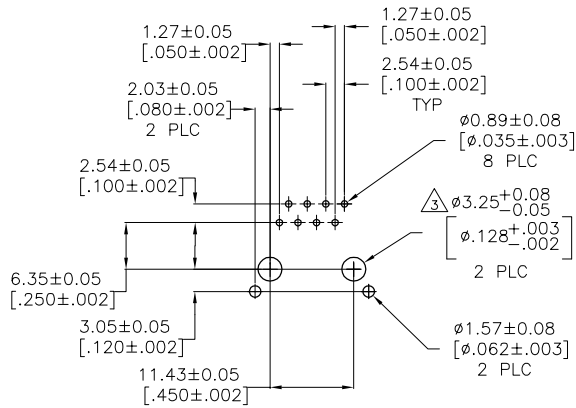
THIS DRAWING IS UNPUBLISHED. RELEASED FOR PUBLICATION  
 © COPYRIGHT BY TYCO ELECTRONICS CORPORATION. ALL RIGHTS RESERVED.

LOC		DIST		REVISIONS			
P	LTR	DESCRIPTION	DATE	DWN	APVD		
AA	00	C1	ECR-09-004284	16APR2009	TY	SY	



- MATERIAL: HOUSING - NYLON, COLOR: BLACK, UL 94V-0. OVERMOLDED TERMINAL ARRAY - PBT, BROWN. TERMINALS - 0.33[.013] THICK PHOS BRONZE PLATED WITH 1.27µm[.000050] MINIMUM HARD GOLD IN LOCALIZED AREA AND 3.81µm[.000150] MINIMUM TIN-LEAD IN SOLDER AREA OVER 1.27µm[.000050] MINIMUM NICKEL UNDERPLATE. SHIELD - 0.254[.010] THICK COPPER ALLOY PLATED WITH 1.27µm[.000050] MINIMUM NICKEL AND 2.03µm[.000080] MINIMUM HOT TIN DIP ON PCB GROUND TABS.

- △ JACK CAVITY CONFORMS TO FCC RULES AND REGULATIONS, PART 68 SUBPART F.
- △ USE #30 DRILL BIT OR 3.25mm DRILL BIT WHEN PRODUCING THESE PCB HOLES.
- 4. DIELECTRIC WITHSTANDING VOLTAGE BETWEEN SHIELD AND TERMINAL IS 1500 VAC



SUGGESTED PANEL CUTOUT

5406296-1  
 PART NUMBER

THIS DRAWING IS A CONTROLLED DOCUMENT.		DRN: A.MAYER 18JAN2005	Tyco Electronics Corporation Harrisburg, PA 17105-3608	
DIMENSIONS: mm		CHK: J.WESTMAN 18JAN2005	NAME: S.FLICKINGER	
TOLERANCES UNLESS OTHERWISE SPECIFIED:		APVD: S.FLICKINGER 18JAN2005	PRODUCT SPEC: 108-1163-2	
0 PLC ± -		APPLICATION SPEC: 114-2048		
1 PLC ± -		SIZE: A2 CAGE CODE: 00779 DRAWING NO: 5406296		
2 PLC ± 0.25[.01]		RESTRICTED TO: -		
3 PLC ± 0.13[.005]		SCALE: 2:1 SHEET: 1 of 1 REV: C1		
4 PLC ± -		CUSTOMER DRAWING		
ANGLES ± -				
MATERIAL: SEE NOTE 1		FINISH: SEE NOTE 1		

5406296